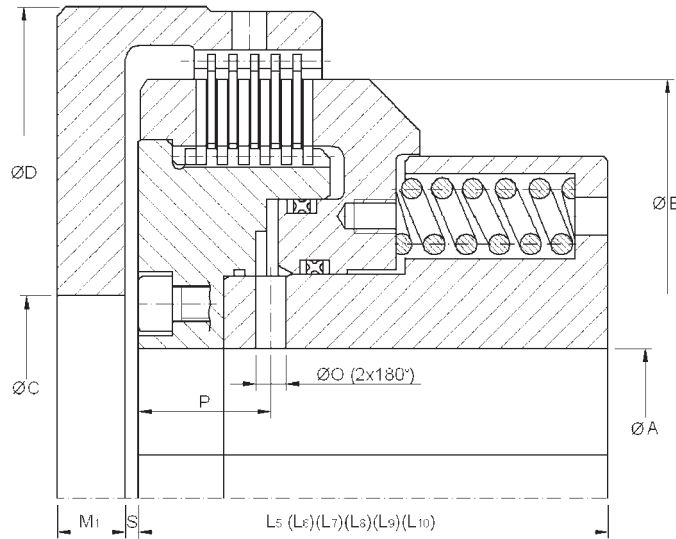




HYDRAULIC SAFETY BRAKES / FRENOS HIDRÁULICOS DE SEGURIDAD

Series 6.12



| Series | | | 6.12 | | | | | | | | |
|--------------------------------------|-----------------|----|-------|-------|-------|-------|-------|-------|--------|--------|--|
| Size | | | 25 | 75 | 77 | 78 | 81 | 82 | 83 | 84 | |
| Static Brake Torque (Nm)(*) | Number of discs | 5 | 1000 | 2500 | 5000 | 10000 | 20000 | 40000 | 80000 | 120000 | |
| | | 6 | 1200 | 3000 | 6000 | 12000 | 24000 | 48000 | 96000 | 144000 | |
| | | 7 | 1400 | 3500 | 7000 | 14000 | 28000 | 56000 | 112000 | 168000 | |
| | | 8 | 1600 | 4000 | 8000 | 16000 | 32000 | 64000 | 128000 | 192000 | |
| | | 9 | 1800 | 4500 | 9000 | 18000 | 36000 | 72000 | 144000 | 216000 | |
| | | 10 | 2000 | 5000 | 10000 | 20000 | 40000 | 80000 | 160000 | 240000 | |
| J int. (kg m ²) | | 5 | 0,09 | 0,372 | 0,948 | 2,501 | 5,832 | 24,29 | 66,86 | 172 | |
| | | 10 | 0,105 | 0,427 | 1,173 | 3,091 | 7,562 | 30,04 | 82,16 | 207 | |
| Weight (Kg) | | | 40 | 80 | 160 | 295 | 510 | 1030 | 1900 | 3350 | |
| Max. speed (min ⁻¹) | | | 1700 | 1300 | 1000 | 850 | 700 | 500 | 415 | 350 | |
| Operating pressure (bar) | | | 40 | | | | | | | | |
| Back pressure (bar) | | | 24 | | | | | | | | |
| Ø A H7min. | | | 58 | 70 | 80 | 105 | 120 | 160 | 180 | 220 | |
| Ø A H7max. | | | 75 | 95 | 115 | 150 | 180 | 250 | 310 | 375 | |
| Ø B | | | 196 | 260 | 320 | 390 | 490 | 630 | 778 | 930 | |
| Ø C H7min. | | | 80 | 100 | 120 | 155 | 185 | 255 | 315 | 380 | |
| Ø D | | | 230 | 290 | 380 | 440 | 560 | 710 | 870 | 1040 | |
| L ₅ | | | 110 | 135 | 170 | 205 | 230 | 290 | 365 | 416 | |
| L ₆ | | | 115 | 141,5 | 177,5 | 215 | 241 | 304 | 381,5 | 435,5 | |
| L ₇ | | | 120 | 148 | 185 | 225 | 252 | 318 | 398 | 455 | |
| L ₈ | | | 125 | 154,5 | 192,5 | 235 | 263 | 332 | 414,5 | 474,5 | |
| L ₉ | | | 130 | 161 | 200 | 245 | 274 | 346 | 431 | 494 | |
| L ₁₀ | | | 135 | 167,5 | 207,5 | 255 | 285 | 360 | 447,5 | 513,5 | |
| M ₁ | | | 35 | 40 | 50 | 60 | 65 | 75 | 84 | 100 | |
| Ø O | | | 6 | 7 | 10 | 11,5 | 15 | 19 | 24 | 28 | |
| P | | | 31 | 36 | 48 | 60 | 65 | 82 | 100 | 125 | |
| S | | | 5 | 5 | 5 | 5 | 5 | 5 | 10 | 10 | |

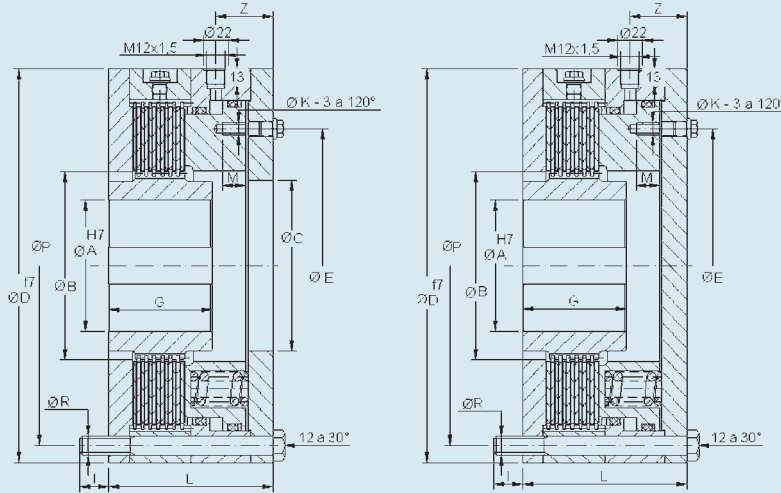
(*) These data are for wet running, in case of dry running consult with GOIZPER.

(*) Estos datos corresponden a funcionamiento en aceite, en caso de funcionamiento en seco consultar con GOIZPER.



Series 6.42 - 6.42 B

HYDRAULIC SAFETY BRAKES / FRENOS HIDRÁULICOS DE SEGURIDAD



| Series | | | 6.42 - 6.42 B | | | | | | |
|-----------------------|------------------|--------------------|---------------|------|------|------|------|-------|-------|
| Size (*) | | | 16 | 23 | 45 | 63 | 90 | 40 | 77 |
| Torque Par | Dry En seco | Estatic. | 415 | 610 | 900 | 1235 | 2040 | 15290 | 17770 |
| | | Dinamic. | 300 | 440 | 655 | 900 | 1485 | 11140 | 12940 |
| | Wet En aceite | Estatic. | 260 | 375 | 560 | 765 | 1260 | 9460 | 10990 |
| | | Dinamic. | 200 | 295 | 440 | 600 | 990 | 7425 | 8625 |
| Min. diseng. press. | | Bar | 18 | 18 | 24 | 24 | 24 | 45 | 35 |
| Max. operating press. | | | 300 | 300 | 300 | 300 | 300 | 300 | 300 |
| Speed max. | | min ⁻¹ | 3500 | 3500 | 3000 | 3000 | 2500 | 1250 | 1100 |
| Weight | | Kg | 9 | 11 | 15 | 18 | 21 | 101 | 140 |
| J int. | | Kg.cm ² | 7 | 13 | 38 | 58 | 95 | 1150 | 3800 |
| ØA min. | | | 20 | 25 | 30 | 30 | 35 | 60 | 80 |
| ØA max. | | | 40 | 45 | 55 | 60 | 65 | 115 | 150 |
| ØB | | | 62 | 77 | 89 | 102 | 111 | 167 | 225 |
| ØC | | | 53 | 65 | 75 | 80 | 90 | 130 | 205 |
| ØD | | | 135 | 150 | 165 | 180 | 200 | 345 | 400 |
| ØE | | | 66 | 79 | 90 | 102 | 128 | 240 | 290 |
| G | | | 45 | 50 | 55 | 55 | 60 | 72 | 110 |
| ØK | | | M6 | M6 | M6 | M6 | M8 | M10 | M12 |
| I | | | 15 | 15 | 20 | 20 | 20 | 20 | 25 |
| L | | | 81 | 86 | 90 | 95 | 100 | 170 | 165 |
| M | | | 15 | 15 | 15 | 15 | 20 | 20,5 | 25 |
| ØP | | | 115 | 130 | 145 | 160 | 180 | 315 | 370 |
| ØR | | | M8 | M8 | M10 | M10 | M10 | M16 | M16 |
| Z | | | 29 | 29 | 33 | 34 | 33 | 53 | 53 |

(*) Consult GOIZPER about higher sizes.
 (*) Tamaños superiores consultar con GOIZPER.

GOIZPER

