

HYDRAULIC CLUTCHES AND BRAKES

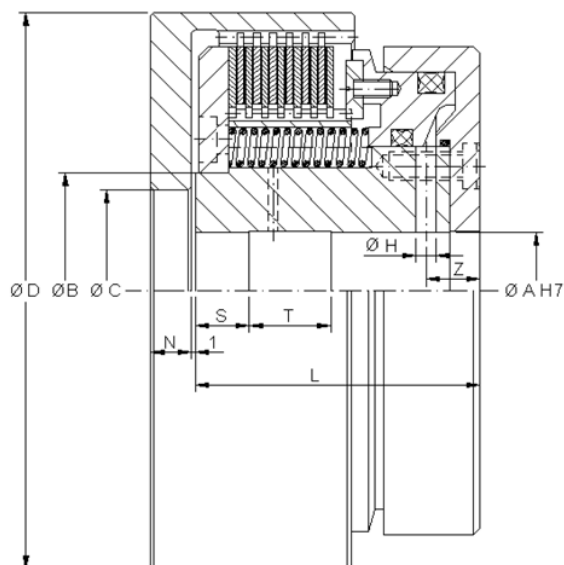
FRENOS Y EMBRAGUES HIDRÁULICOS

FOR DRAWINGS, SPECIFICATIONS AND QUESTIONS REGARDING A GOIZPER PRODUCT, PLEASE CONTACT US:
Toll-Free: 1-800-813-0844 | Phone: 1-941-358-9447 | Fax: 1-941-358-9647 | Email: sales@goizperusa.com | www.goizperusa.com



Torque Technologies, the exclusive U.S. stocking agency of GOIZPER Clutches, Brakes and Clutch-Brakes provides expert, computerized application engineering and retrofit services to customers across the USA.

HYDRAULIC CLUTCHES / EMBRAGUES HIDRÁULICOS



SERIES		6.32						
SIZE		11	16	23	45	90	18	81
Torque	Nm	110	160	230	450	900	2000	6200
Operation pressure	bar	18	18	18	24	24	20	25
Back pressure		1,5	1,5	1,5	2,5	2,5	4,7	3,8
Speed max.	min ⁻¹	3500	3500	3500	3000	2500	3000	3000
Weight	Kg	3	4,5	6,5	9	13	23	24
Inter. J	Kg cm ²	20	42	94	240	300	521	622
Exter.		11	20	46	100	230	467	467
New. Volum.	cm ³	10	15	20	31	40	66	82
Max. Wear Volum.		20	28	40	47	60	132	163
Ø A	Min.	20	25	25	30	40	40	40
	Max.	30	40	42	50	58	76	76
Ø B Ø C Ø D	Min.	40	50	52	62	70	84,2	84,2
		45	55	60	70	75	80	80
		93	113	133	145	165	200	200
Ø H		4	5	5	6	6	7	7
L		57	62	65	75	84	108	108
N		6	9	9	10	12	20	20
S		10	12	15	14	16	27	27
T		13	14	15	22	24	15	15
Z		12	12,5	13,5	15	16	16	18

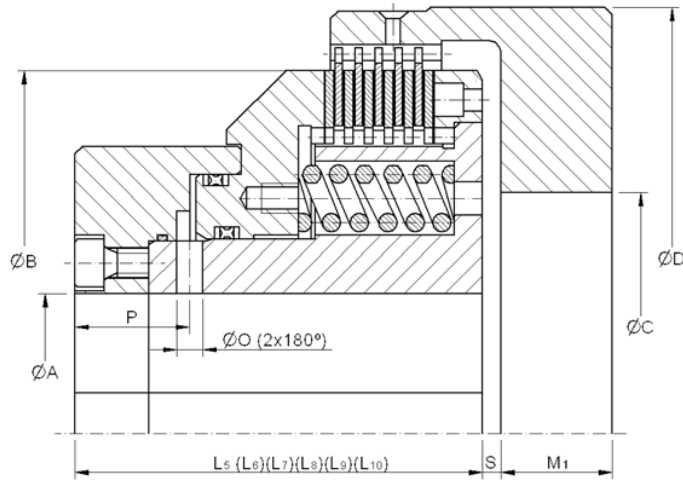
(*) These data are for wet running, in case of dry running consult with GOIZPER.

(*) Estos datos corresponden a funcionamiento en aceite, en caso de funcionamiento en seco consultar con GOIZPER.



Series 6.11

HYDRAULIC CLUTCHES / EMBRAGUES HIDRÁULICOS



SERIES		6.11								
SIZE		25	75	77	78	81	82	83	84	
Static Clutch Torque (Nm)(*)	Number of discs	5	2500	6500	12500	25000	50000	100000	200000	328000
		6	3000	7800	15000	30000	60000	120000	240000	391000
		7	3500	9100	17500	35000	70000	140000	280000	456000
		8	4000	10400	20000	40000	80000	160000	320000	514000
		9	4500	11700	22500	45000	90000	180000	360000	574000
		10	5000	13000	25000	50000	100000	200000	400000	633000
J int. (kg m2)		5	0,09	0,372	1,948	2,501	5,932	24,29	66,86	172
		10	0,105	0,427	1,173	3,091	7,562	30,04	82,16	207
Weight (Kg)			40	80	160	295	510	1030	1900	3350
Max. speed (min ⁻¹)			1700	1300	1000	850	700	500	415	350
Operating pressure (bar)			40							
Back pressure (bar)			4							
Ø A H7min.			58	70	80	105	120	160	180	220
Ø A H7max.			75	95	115	150	180	250	310	375
Ø B			196	260	320	390	490	630	778	930
Ø C H7min.			80	100	120	155	185	255	315	380
Ø D			230	290	380	440	560	710	870	1040
L ₅			110	135	170	205	230	290	365	416
L ₆			115	141,5	177,5	215	241	304	381,5	435,5
L ₇			120	148	185	225	252	318	398	455
L ₈			125	154,5	192,5	235	263	332	414,5	474,5
L ₉			130	161	200	245	274	346	431	494
L ₁₀			135	167,5	207,5	255	285	360	447,5	513,5
M ₁			35	40	50	60	65	75	84	100
Ø O			6	7	10	11,5	15	19	24	28
P			31	36	48	60	65	82	100	125
S			5	5	5	5	5	5	10	10

(*) These data are for wet running, in case of dry running consult with GOIZPER.

(*) Estos datos corresponden a funcionamiento en aceite, en caso de funcionamiento en seco consultar con GOIZPER.

FOR DRAWINGS, SPECIFICATIONS AND QUESTIONS REGARDING A GOIZPER PRODUCT, PLEASE CONTACT US:
Toll-Free: 1-800-813-0844 | Phone: 1-941-358-9447 | Fax: 1-941-358-9647 | Email: sales@goizperusa.com | www.goizperusa.com



Torque Technologies, the exclusive U.S. stocking agency of GOIZPER Clutches, Brakes and Clutch-Brakes provides expert, computerized application engineering and retrofit services to customers across the USA.